





Crosshatch

By
Brad Ascalon

Decorative
lighting

LED	Vossloh
CCT	2700K
Color Consistency	-
CRI (Ra)	≥ 90%
Driver	Included
Dimming	Phase-cut
Bluetooth Control	Casambi 
Input Voltage	120V
Power	18W
Reflector Material	Aluminium
Diffuser Material	Opal Glass
Material	Aluminium
Finishes	Black (matte) 
Approvals	CE, EAC
Lifetime	50.000h (optimum work conditions)
Warranty	See product warranty details
IES Files	Available on the website
LDT Files	Available on the website
Modifications	Customization is possible
Mounting	Tool-friendly, click-lock system, tamper resistant. Aircraft cable suspension standard length 250 cm
Maintenance	Replacement LEDs and drivers available

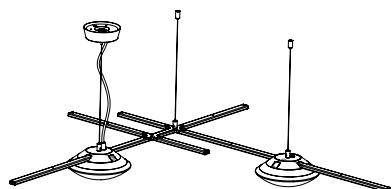
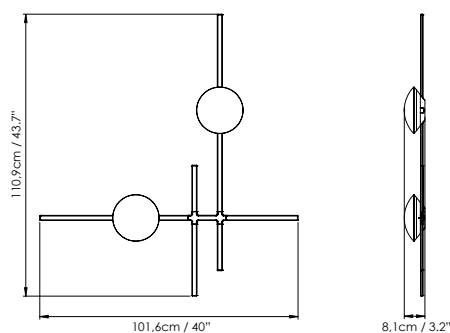
CE EAC   CASAMBI   CREE 



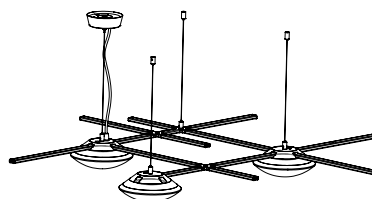
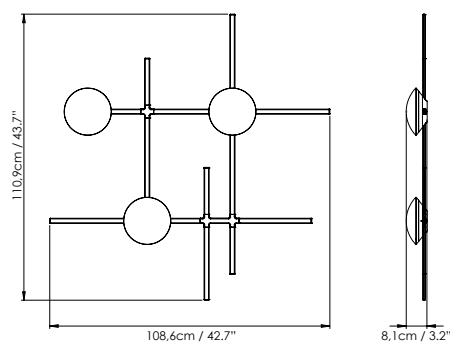
Description

Crosshatch is made up of a metallic structure in three sizes (S/M/L) available in ceiling and wall versions and two sizes (M/L) for the suspension version. Thanks to its internal wiring, they can be combined to create multiple compositions with just one power supply. The lightness of its structure allows us to create volumes without overloading the space. Its main appeal lies precisely in the game of voids and lights that it generates wherever it is installed.

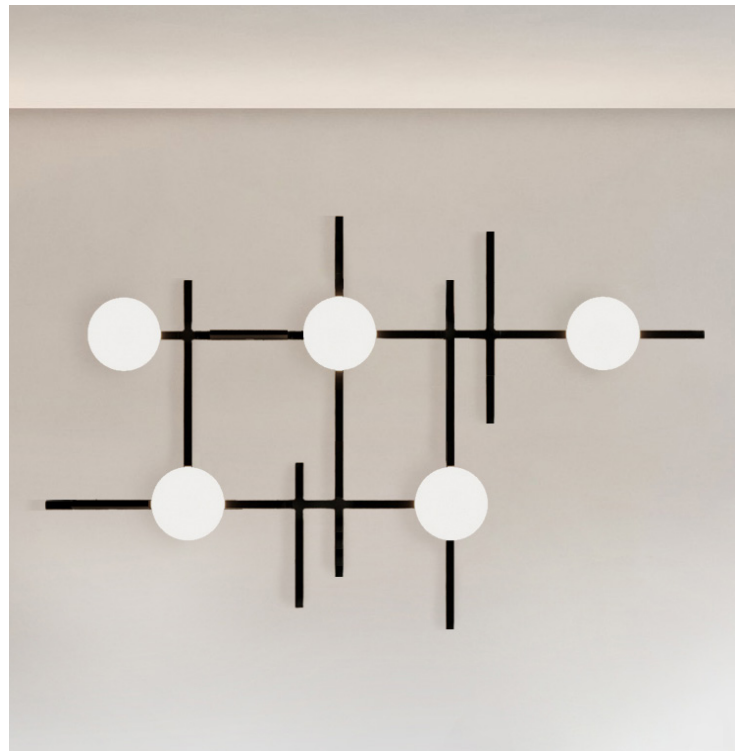
CROSSHATCH S - M



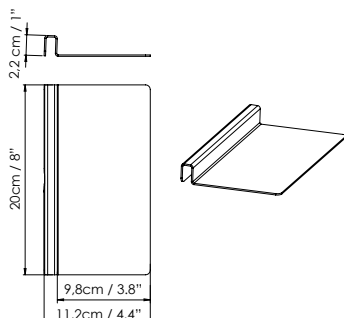
CROSSHATCH S - L



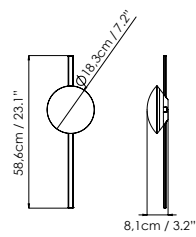
CODE	LAMP	
767310U	CROSSHATCH S - M	2 x LED 18W 3600lm 2700K CRI≥90 120V DIM PHASE CUT
767320U	CROSSHATCH S - L	3 x LED 18W 5400lm 2700K CRI≥90 120V DIM PHASE CUT



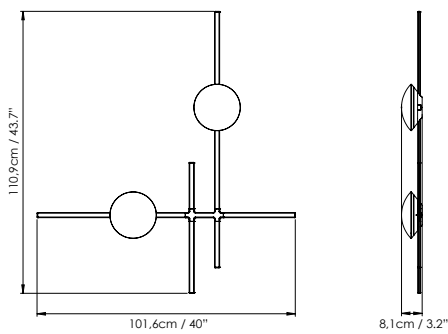
CROSSHATCH SHELF



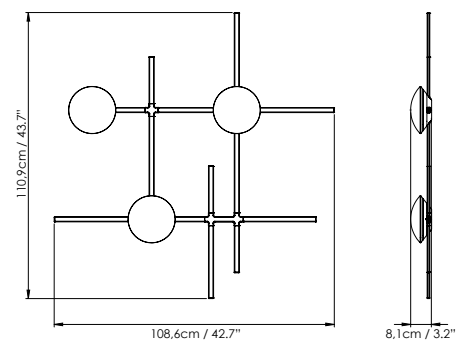
CROSSHATCH C/W - S



CROSSHATCH C/W - M



CROSSHATCH C/W - L



CODE	LAMP	
767100U	CROSSHATCH C/W S	LED 18W 1800lm 2700K CRI≥90 120V DIM PHASE CUT
767110U	CROSSHATCH C/W M	2 x LED 18W 3600lm 2700K CRI≥90 120V DIM PHASE CUT
767120U	CROSSHATCH C/W L	3 x LED 18W 5400lm 2700K CRI≥90 120V DIM PHASE CUT
767980U	CROSSHATCH SHELF	



EXAMPLE: M + L

