





# Crosshatch

By  
Brad Ascalon

Decorative  
lighting

<b>LED</b>	Vossloh
<b>CCT</b>	2700K
<b>Color Consistency</b>	-
<b>CRI (Ra)</b>	≥ 90%
<b>Driver</b>	Included
<b>Dimming</b>	Phase-cut
<b>Bluetooth Control</b>	Casambi 
<b>Input Voltage</b>	120V
<b>Power</b>	18W
<b>Reflector Material</b>	Aluminium
<b>Diffuser Material</b>	Opal Glass
<b>Material</b>	Aluminium
<b>Finishes</b>	Black (matte) 
<b>Approvals</b>	CE, EAC
<b>Lifetime</b>	50.000h (optimum work conditions)
<b>Warranty</b>	See product warranty details
<b>IES Files</b>	Available on the website
<b>LDT Files</b>	Available on the website
<b>Modifications</b>	Customization is possible
<b>Mounting</b>	Tool-friendly, click-lock system, tamper resistant. Aircraft cable suspension standard length 250 cm
<b>Maintenance</b>	Replacement LEDs and drivers available

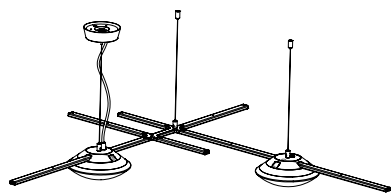
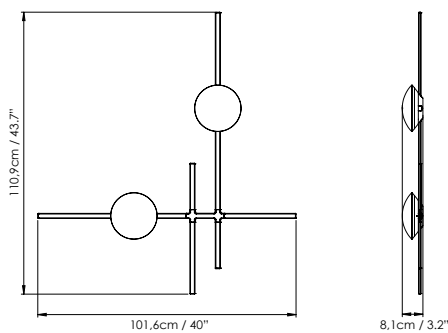
CE EAC   CASAMBI   CREE  TRIDONIC



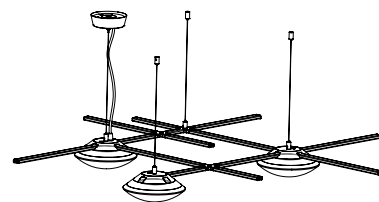
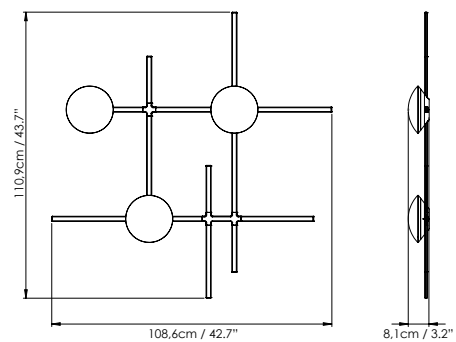
## Description

Crosshatch is made up of a metallic structure in three sizes (S/M/L) available in ceiling and wall versions and two sizes (M/L) for the suspension version. Thanks to its internal wiring, they can be combined to create multiple compositions with just one power supply. The lightness of its structure allows us to create volumes without overloading the space. Its main appeal lies precisely in the game of voids and lights that it generates wherever it is installed.

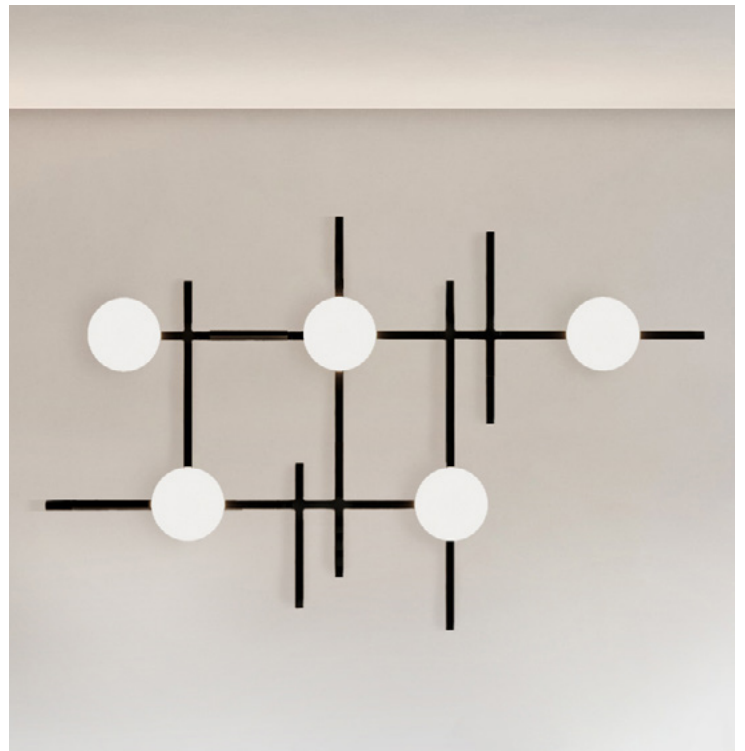
### CROSSHATCH S - M



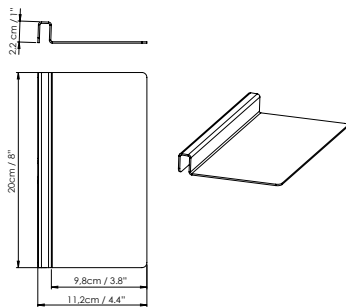
### CROSSHATCH S - L



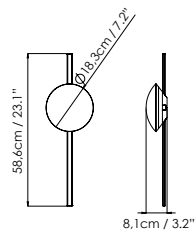
CODE	LAMP	
767310U	CROSSHATCH S - M	2 x LED 18W 3600lm 2700K CRI≥90 120V DIM PHASE CUT
767320U	CROSSHATCH S - L	3 x LED 18W 5400lm 2700K CRI≥90 120V DIM PHASE CUT



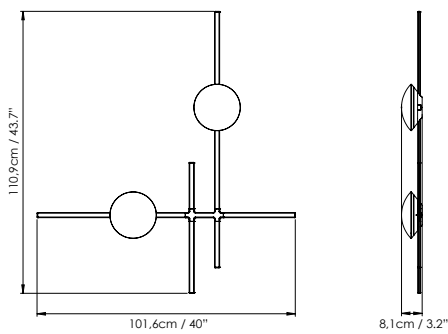
**CROSSHATCH SHELF**



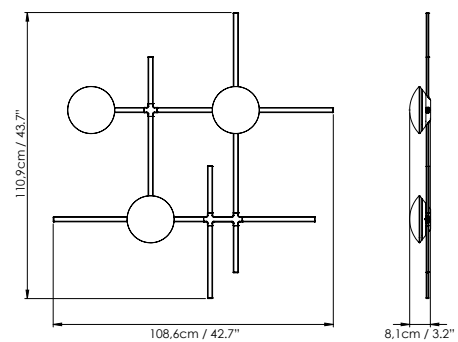
**CROSSHATCH C/W - S**



**CROSSHATCH C/W - M**



**CROSSHATCH C/W - L**



CODE	LAMP	
767100U	<b>CROSSHATCH C/W S</b>	LED 18W 1800lm 2700K CRI≥90 120V DIM PHASE CUT
767110U	<b>CROSSHATCH C/W M</b>	2 x LED 18W 3600lm 2700K CRI≥90 120V DIM PHASE CUT
767120U	<b>CROSSHATCH C/W L</b>	3 x LED 18W 5400lm 2700K CRI≥90 120V DIM PHASE CUT
767980U	<b>CROSSHATCH SHELF</b>	



EXAMPLE: M + L

